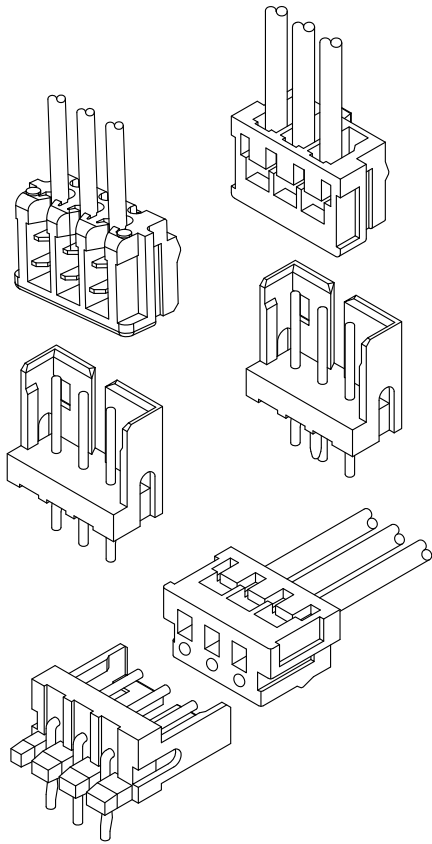


# A2009 AMP 2.00 CONNECTOR

2.00mm Pitch/Disconnectable Crimp style/Insulation displacement connectors



- Secure locking structure
- Low insertion force
- Suction area for picking up
- Improvement of engagement with prying

## Specifications:

- Current rating: 2.0 A / AC,DC (AWG #22)
- Voltage rating: 100 V AC/DC
- Temperature range: -40°C ~ +105°C  
(including temperature rise in applying electrical current)
- Contact resistance: Initial value/ 30m Ω max  
Insulation resistance: 800 M Ω min  
Withstanding voltage: 800 VAC/minute  
Applicable wire: Conductor size/ AWG#26~#22  
Insulation O.D./ 0.90 to 1.50 mm
- \* Compliant with RoHS2/ HF/ REACH
- \* Refer to "General Instruction and Notice when using Terminals and Connectors"
- \* Contact CSG for details

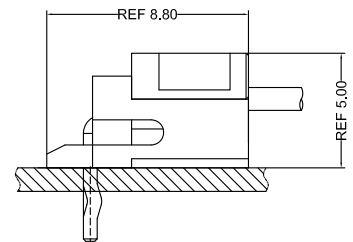
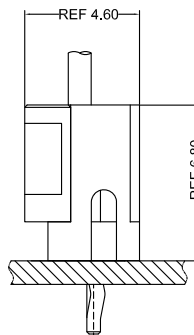
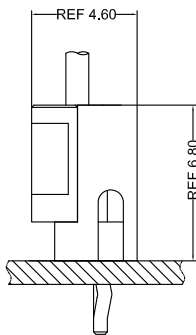
Material:

Housing: PA66/UL94-V0;Color:White

Terminal: Phosphor/ Tin-plated

DIP Wafer Housing: PA66,UL94-V0;Color:White

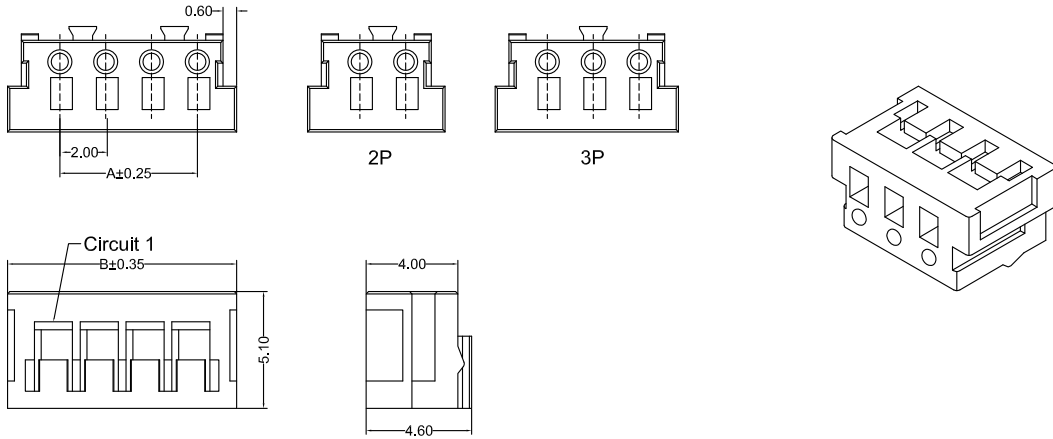
DIP Wafer Pin: Brass/ Tin-plated



- Note: 1. The above figure is the figure viewed from the connector mounting side.  
2. Tolerances are non-cumulative:  $\pm 0.08$  mm for all centers.  
3. The dimensions above should serve as a guideline. Contact CSG for details.

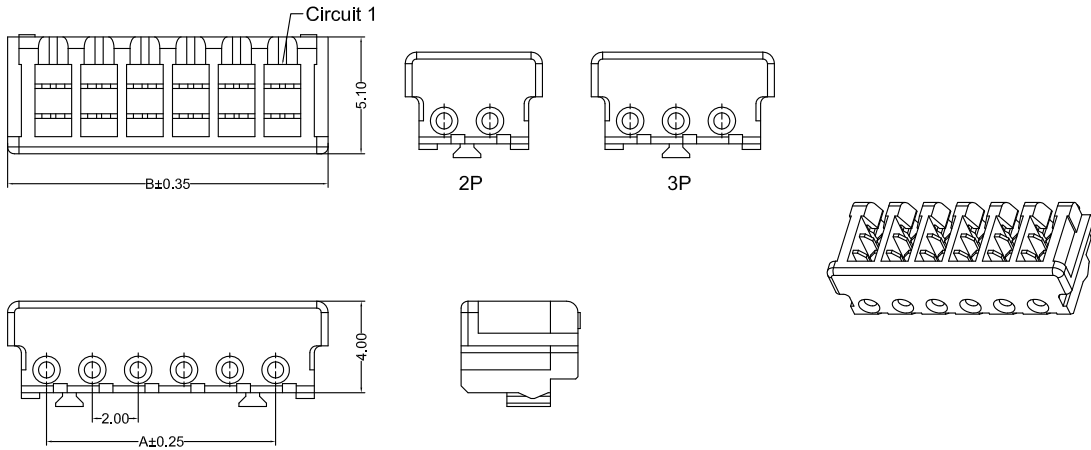
**CSG**

# A2009 AMP 2.00



A2009HF 0XX AA P6 9 001  
 PIN  
 005=5PINS  
 SPECIAL  
 AA=NO Special  
 Material  
 P6=PA66 94V-0  
 Code  
 001  
 Color  
 9=White

CSG PART NO.	Dimension mm		Qty/BAG
	A	B	
A2009HF002AAP69001	2.00	6.00	1000PCS
A2009HF003AAP69001	4.00	8.00	1000PCS
A2009HF004AAP69001	6.00	10.00	1000PCS
A2009HF005AAP69001	8.00	12.00	1000PCS
A2009HF006AAP69001	10.00	14.00	1000PCS
A2009HF007AAP69001	12.00	16.00	1000PCS
A2009HF008AAP69001	14.00	18.00	1000PCS
A2009HF009AAP69001	16.00	20.00	1000PCS
A2009HF010AAP69001	18.00	22.00	1000PCS
A2009HF011AAP69001	20.00	24.00	1000PCS
A2009HF012AAP69001	22.00	26.00	1000PCS
A2009HF013AAP69001	24.00	28.00	1000PCS
A2009HF014AAP69001	26.00	30.00	1000PCS
A2009HF015AAP69001	28.00	32.00	1000PCS

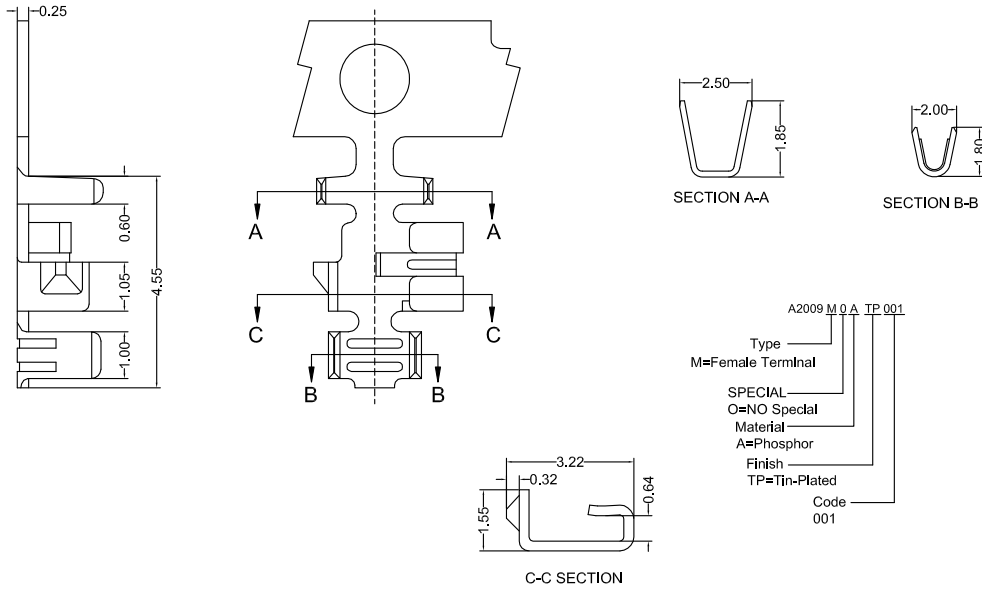


A2009HI 0XX AA P6 TP 9 001  
 PIN  
 005=5PINS  
 SPECIAL  
 AA=NO Special  
 Material  
 P6=PA66 94V-0  
 Finish  
 TP=Tin-Plated  
 Code  
 001  
 Color  
 9=White

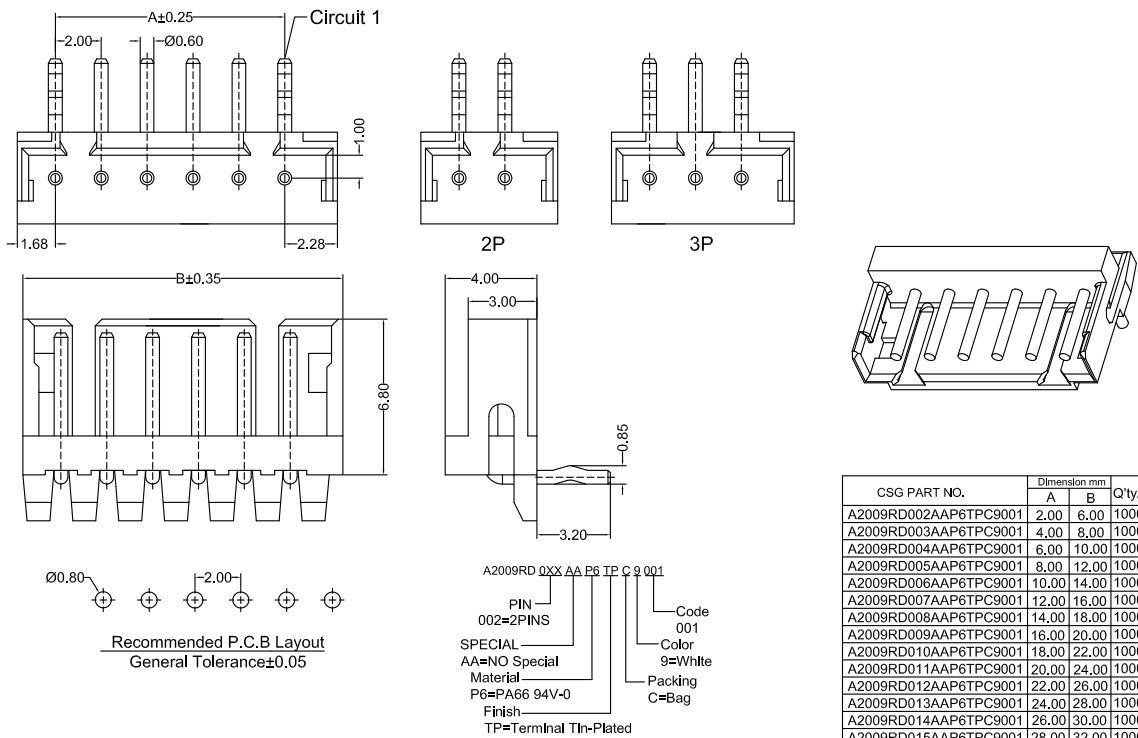
CSG PART NO.	Dimension mm		Qty/BAG
	A	B	
A2009HI002AAP69001	2.00	6.00	1000PCS
A2009HI003AAP69001	4.00	8.00	1000PCS
A2009HI004AAP69001	6.00	10.00	1000PCS
A2009HI005AAP69001	8.00	12.00	1000PCS
A2009HI006AAP69001	10.00	14.00	1000PCS
A2009HI007AAP69001	12.00	16.00	1000PCS
A2009HI008AAP69001	14.00	18.00	1000PCS
A2009HI009AAP69001	16.00	20.00	1000PCS
A2009HI010AAP69001	18.00	22.00	1000PCS
A2009HI011AAP69001	20.00	24.00	1000PCS
A2009HI012AAP69001	22.00	26.00	1000PCS
A2009HI013AAP69001	24.00	28.00	1000PCS
A2009HI014AAP69001	26.00	30.00	1000PCS
A2009HI015AAP69001	28.00	32.00	1000PCS



# A2009 AMP 2.00



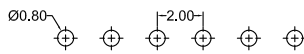
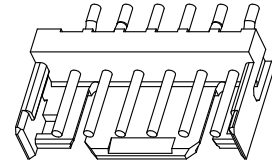
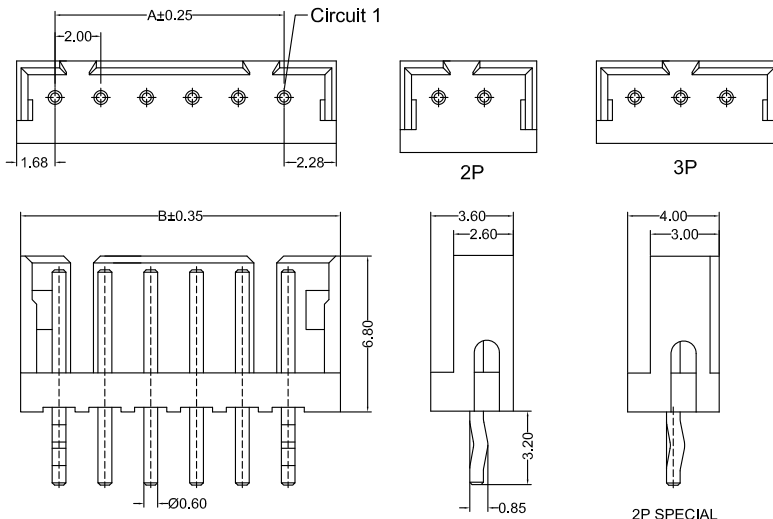
CSG PART NO.	Wire Range	Insulation O.D.	Q'ty/Reel
A2009M0ATP001	AWG#22-#26	1.50mm(max)	10000PCS



CSG PART NO.	Dimension mm		Q'ty/BAG
	A	B	
A2009RD002AAP6TPC9001	2.00	6.00	1000PCS
A2009RD003AAP6TPC9001	4.00	8.00	1000PCS
A2009RD004AAP6TPC9001	6.00	10.00	1000PCS
A2009RD005AAP6TPC9001	8.00	12.00	1000PCS
A2009RD006AAP6TPC9001	10.00	14.00	1000PCS
A2009RD007AAP6TPC9001	12.00	16.00	1000PCS
A2009RD008AAP6TPC9001	14.00	18.00	1000PCS
A2009RD009AAP6TPC9001	16.00	20.00	1000PCS
A2009RD010AAP6TPC9001	18.00	22.00	1000PCS
A2009RD011AAP6TPC9001	20.00	24.00	1000PCS
A2009RD012AAP6TPC9001	22.00	26.00	1000PCS
A2009RD013AAP6TPC9001	24.00	28.00	1000PCS
A2009RD014AAP6TPC9001	26.00	30.00	1000PCS
A2009RD015AAP6TPC9001	28.00	32.00	1000PCS



# A2009 AMP 2.00



Recommended P.C.B Layout  
General Tolerance±0.05

A2009VD 0XX AA P6 TP C 9 001

- PIN
- 002=2PINS
- SPECIAL
- AA=NO Special
- Material
- P6=PA66 94V-0
- Finish
- TP=Terminal Tin-Plated
- Code
- 001
- Color
- S=White
- Packing
- C=Bag

CSG PART NO.	Dimension mm		Qty/BAG
	A	B	
A2009VD002AAP6TPC9001	2.00	6.00	1000PCS
A2009VD003AAP6TPC9001	4.00	8.00	1000PCS
A2009VD004AAP6TPC9001	6.00	10.00	1000PCS
A2009VD005AAP6TPC9001	8.00	12.00	1000PCS
A2009VD006AAP6TPC9001	10.00	14.00	1000PCS
A2009VD007AAP6TPC9001	12.00	16.00	1000PCS
A2009VD008AAP6TPC9001	14.00	18.00	1000PCS
A2009VD009AAP6TPC9001	16.00	20.00	1000PCS
A2009VD010AAP6TPC9001	18.00	22.00	1000PCS
A2009VD011AAP6TPC9001	20.00	24.00	1000PCS
A2009VD012AAP6TPC9001	22.00	26.00	1000PCS
A2009VD013AAP6TPC9001	24.00	28.00	1000PCS
A2009VD014AAP6TPC9001	26.00	30.00	1000PCS
A2009VD015AAP6TPC9001	28.00	32.00	1000PCS